



**Proxso**  
Technologies

[info@proxotech.in](mailto:info@proxotech.in)  
[+91 9650691065](tel:+919650691065)



# R20 MAX

Touch Screen Controller With TIJ One Inch Dual  
Print Heads



**RYNAN**<sup>®</sup>  
TECHNOLOGIES  
PRINTING

## PRODUCT

# DESCRIPTION

The RYNAN R20 MAX is the next generation of RYNAN TIJ printers. With a 7" touch screen controller that connects up to two print heads (One Inch TIJ Technology) capable of high-resolution outer case packaging, the R20 printer control system is highly adaptable to your packaging printing needs.



## VERSATILE



### Easy to use

7" Touch screen with intuitive WYSIWYG interface



### Integration

Sleek & streamlined for easy integration with 3rd party products



### Flexible

Variable database function to meet the requirements in all kinds of applications

## ADAPTABLE



### High Quality

Max. 300dpi print quality



### High Speed

40m/min @ 300 x 300 DPI



### Head Printing

Connects up to 2 printhead

WHY CHOOSE

# R20 MAX



## SIMPLE, INTUITIVE OPERATION

- ✓ User friendly 7" touchscreen color display with WYSIWYG graphical interface
- ✓ Easy to setup and integrate with any production line/ devices (PLC, Camera, Check-weigher, etc)
- ✓ Built-In Internal Sensors
- ✓ Max. 2 head can be controlled by one controller



## EXCELLENT PRINT QUALITY & CAPABILITIES

- ✓ High quality 300 dpi max print resolution
- ✓ High speed print at 40m/min at 300dpi
- ✓ Print height of up to 1 inch (25.4mm)
- ✓ Print length of up to 2m



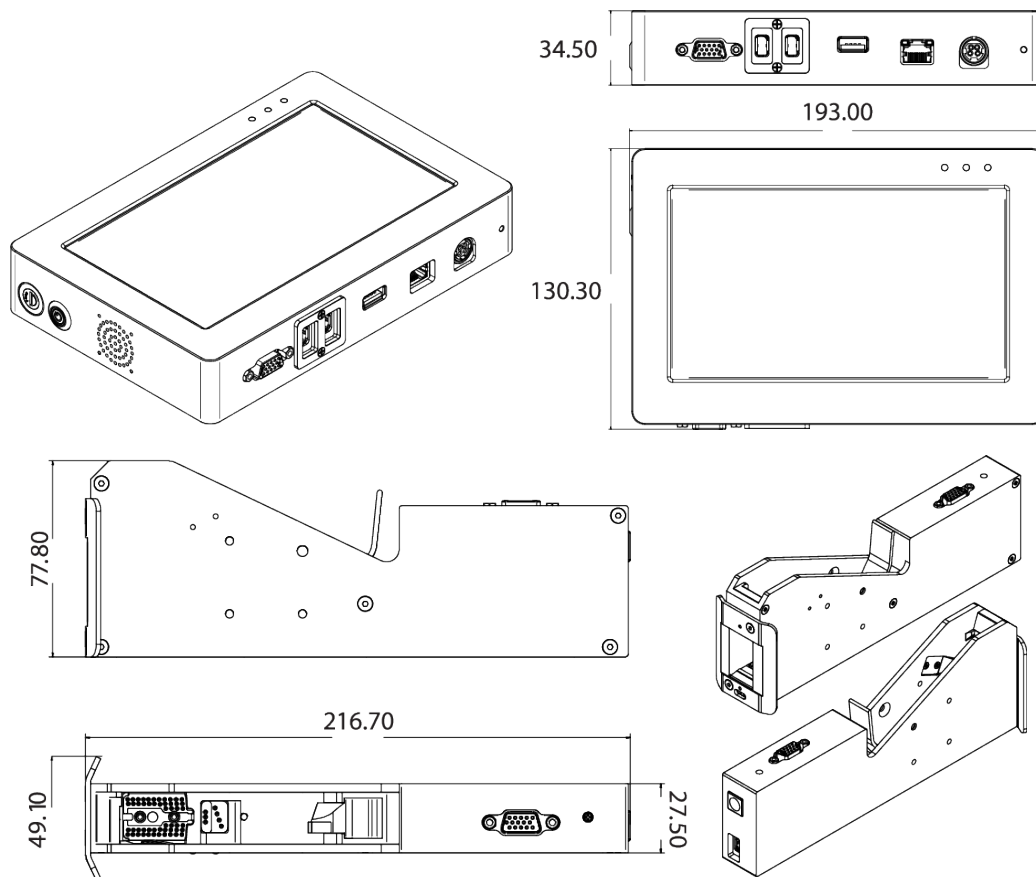
## ONE - INCH

- ✓ Wide Selection of Aqueous & Solvents inks available
- ✓ Minimal downtime, ink cartridges can be replaced easily
- ✓ No long start/shutdown procedure to follow
- ✓ Minimal printhead cleaning, filter replacements or any maintenance requirements

# SPECIFICATIONS

## TECHNICAL SPECIFICATIONS

<b>Printing Technology</b>	1 Inch TIJ
<b>Controller Dimensions</b>	193 x 130.3 x 34.5 mm
<b>Printhead Dimensions</b>	216.4 x 49.1 x 77.8 mm
<b>Controller Weight</b>	888g
<b>Print Head Weight</b>	430g
<b>Display</b>	7" LCD Touch Screen
<b>Power Supply</b>	AC 100V–240V, 50/60Hz, DC 24V 2.5A
<b>Resolutions</b>	Max 300 DPI
<b>Print Speed</b>	40m/min @ 300x300 dpi
<b>Density</b>	3 levels
<b>Throw Distance</b>	5mm





## FEATURES

<b>Wide Range Of Print Types</b>	<ul style="list-style-type: none"> <li>• Text, Counter</li> <li>• Box/Lot</li> <li>• Datetime</li> <li>• Expiry Date</li> <li>• Julian Date</li> <li>• Shiftcode</li> <li>• Image</li> <li>• Database</li> </ul> <p>1D &amp; 2D Barcodes (Code 11, Code 39, Code 128, EAN, QR, Datamatrix, GS1 Datamatrix...)</p>
<b>Printable Height</b>	Maximum 50.8mm / 2 heads
<b>External Connections</b>	<ul style="list-style-type: none"> <li>• Build in sensor</li> <li>• External Sensor</li> <li>• Encoder and Alarm beacon</li> </ul>
<b>Template Length</b>	2m
<b>Database</b>	TXT, CSV, SQL, MySQL, SQLite, JSON
<b>Advance Features</b>	<ul style="list-style-type: none"> <li>• Free design in template up to 1 inch (2 head)</li> <li>• POD (Print online data) Integrate with other devices (PLC, Camera, Checkweigher...) via RJ45</li> <li>• Real-time Printing</li> <li>• WYSIWYG (what you see is what you get)</li> <li>• Data upload, Backup &amp; Recovery via USB</li> <li>• Up to 10mm throw distance for character and 5mm for 2D barcodes</li> </ul>
<b>Printable Characters</b>	Windows true fonts - Free design in template up to 1 inch (2 heads)
<b>Print Languages</b>	English (default), Vietnamese, Chinese (PRC), Turkish, Korean, Russian, Japanese, Hebrew, Spanish, Thai, Portuguese and Arabic...
<b>System Languages</b>	English (default), German, Vietnamese, Chinese, Korean, Russian, Turkish, Portuguese, Spanish, Polish, Greek and Italian (and others)



# APPLICATIONS

## INDUSTRY OPPORTUNITIES



F&B



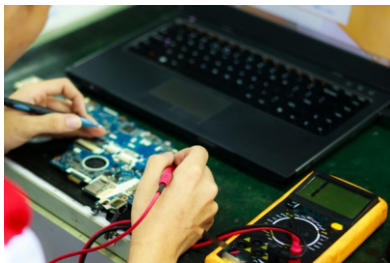
SHIPPING & LOGISTICS



PHARMACEUTICALS



PERSONAL CARE



ELECTRONICS



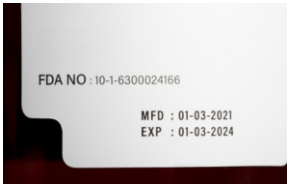
AUTOMOTIVE

## TYPES OF PRINTING APPLICATIONS

### POROUS



CARTON BOXES



FOOD BOXES

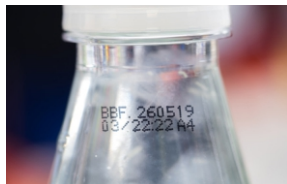


MASKS



MEDICINE BOXES

### NON - POROUS



PLASTIC BOTTLES



CANS



FOOD LABELS



PVC TUBES

## ABOUT

# RYNAN TECHNOLOGY

---

RYNAN Printing is one of the business entities of RYNAN Technologies. Founded in 2015, the company is based in Vietnam, Singapore and India. RYNAN creates and develops industrial thermal inkjet technology and has been paving the way for the industry since. Serving a global community of customers in multiple sectors including industrial coding and marking, packaging, and pharmaceuticals.

## OUR VISION

RYNAN is devoted to creating the most effective and environmentally conscious solutions for the market. Helping partners and customers achieve their business targets, by supplying reliable and cost-effective products.

---



RYNAN TECHNOLOGIES © 2022

The information presented in this brochure, to the best of our knowledge, is accurate at the time of publication, and is presented as general information and no representation or warranty is expressly or impliedly given as to its accuracy, completeness or correctness. RYNAN Technologies reserves the right to make changes to this brochure and the contents herein, including without limitation, functionality, features, specifications, images, benefits, design, components, performance, and any other product information.



**RYNAN**<sup>®</sup>  
**TECHNOLOGIES**  
**PRINTING**

[www.rynanprinting.com](http://www.rynanprinting.com)

Authorised RYNAN Partner



**Proxso**  
**Technologies**

B-78, HIND VIHAR, PREMNAGAR 3rd  
KIRARI SULEMAN NAGAR  
NEW DELHI-110086  
Email.: [info@proxsotech.in](mailto:info@proxsotech.in)  
Mob. : +91 9650691065  
Website: [www.proxotech.in](http://www.proxotech.in)